



Taizhou Xiangyang Mould and Plastic co., Ltd

WELCOME

Garden & Farm Equipment Moulds

Contract person: Mr Ye /Fish Yu
Mobile/Whatsapp/Wechat: +86 13957631200/
+8618805766003

Website: www.tzxmold.com
E-mail: tzxmould_fish@foxmail.com/
tyxmould@foxmail.com



whatsapp

Add.:No.1, Shang Xian Road, Beicheng Street, Huangyan District, Taizhou City,
Zhejiang Province,China

Taizhou Xiangyang Mould and plastic co., Ltd

INTRODUCTION

TaiZhou XiangYang Mould And Plastic Co.,Ltd is located in Huangyan , Zhejiang. Our Founder and Chief engineer Mr Ye has more than 25 years experience in mold manufacturing. We strive to deliver innovative solutions that meet the unique needs of our clients.

We specialize in designing and manufacturing various household molds, automobile interior and exterior molds, toy molds and garden molds. Our molds are exported worldwide, including Europe, the Middle East, South America, and other area.

Adhering to the spirit of "integrity, equality, and mutual benefit" cooperation, we wholeheartedly serve our customers. We warmly welcome to cooperate and achieve a grand future together.



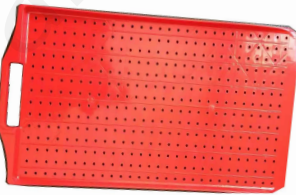
Garden & Farm Equipment Moulds



Flower Pot



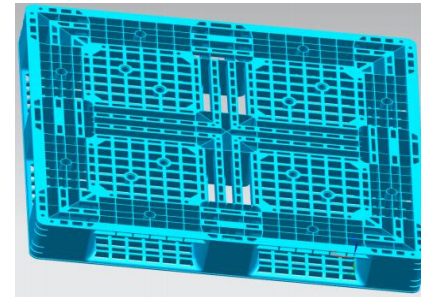
Poultry /Chicken
feeder



seedling tray



Snow shovel/
Spade



turn box &
tray mould

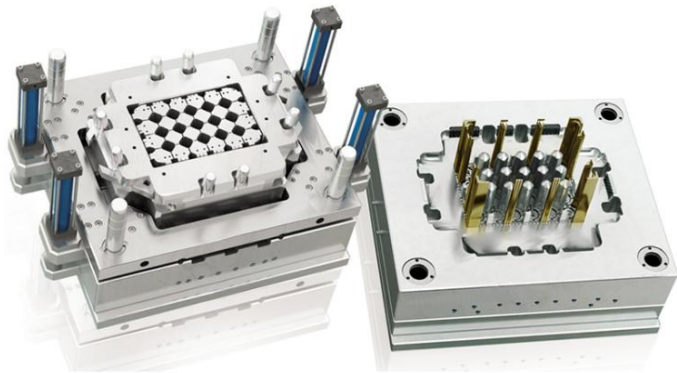




pot mould



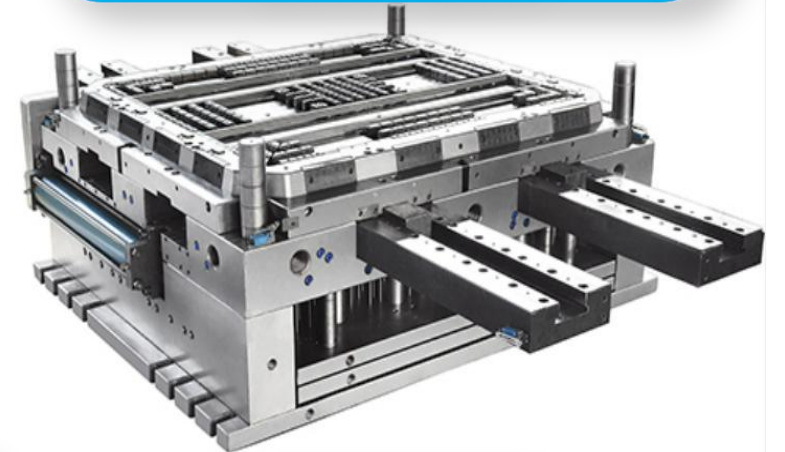
Chicken & pigeon feeder
Moulds mould



laundry basket mould



Turnover box /Crate mould



tray mould

Flower Pot Moulds



Knit /bamboo/ rattan/ weave pots

weaving pot



Hanging round flower tanks/pots

Self-Watering Plant Pots

special shapes pots

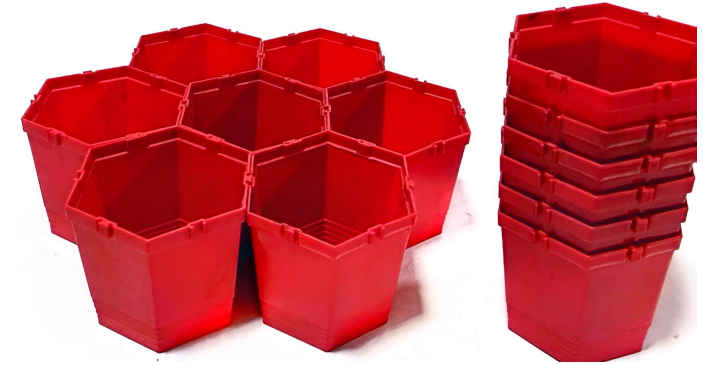
Flower Pot Moulds



round and square
flower pots



Sandy Textured pots



Engraving design pots



high flower pots

Chicken & pigeon feeder Moulds

size:750*210*160



size:900*210*210



size:800*250*250 (mm)



size:800*130*90



size:500*105*80 (mm)



Chicken & pigeon
feeder Moulds



Seedling tray
Moulds



Snow shovel/ Spade
Moulds



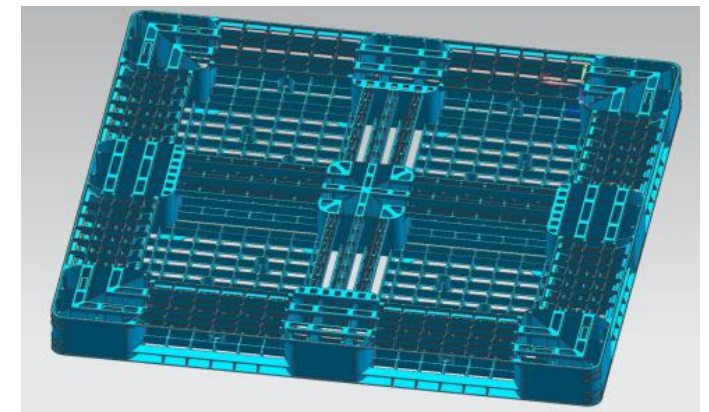
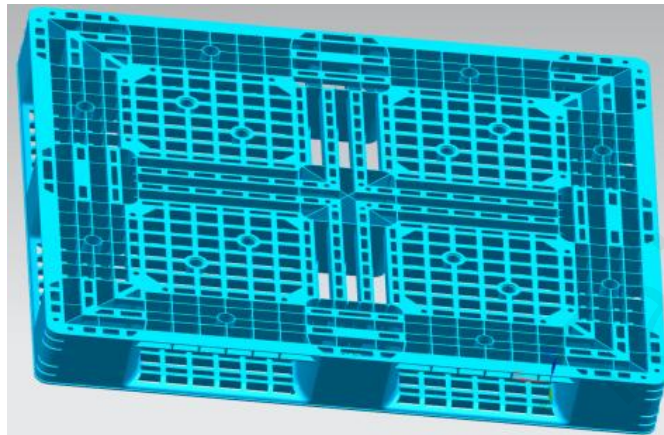
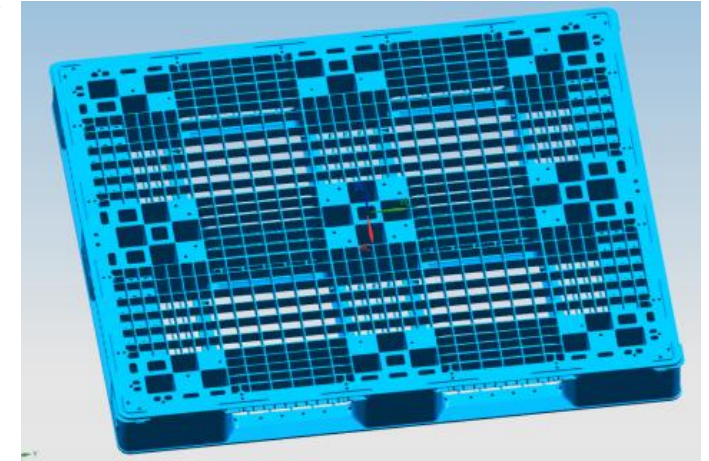
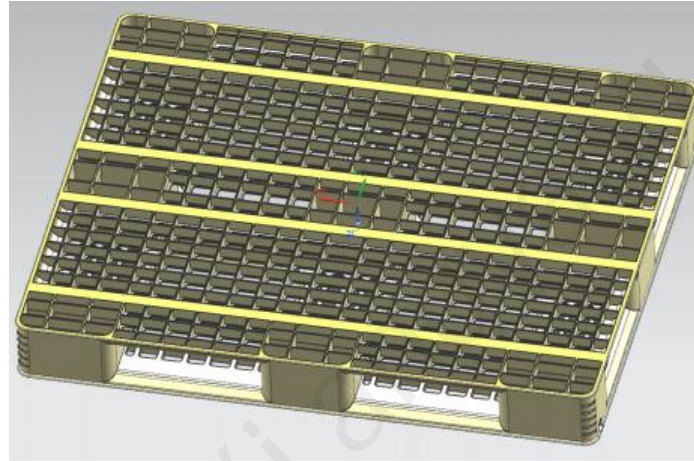
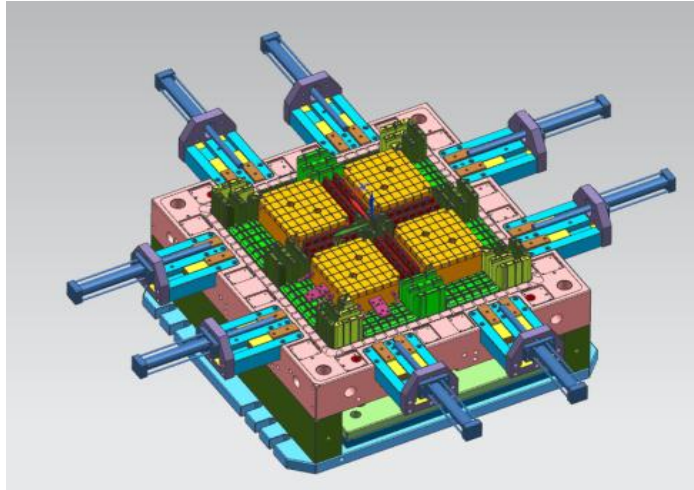
Turnover box
/Crate mould



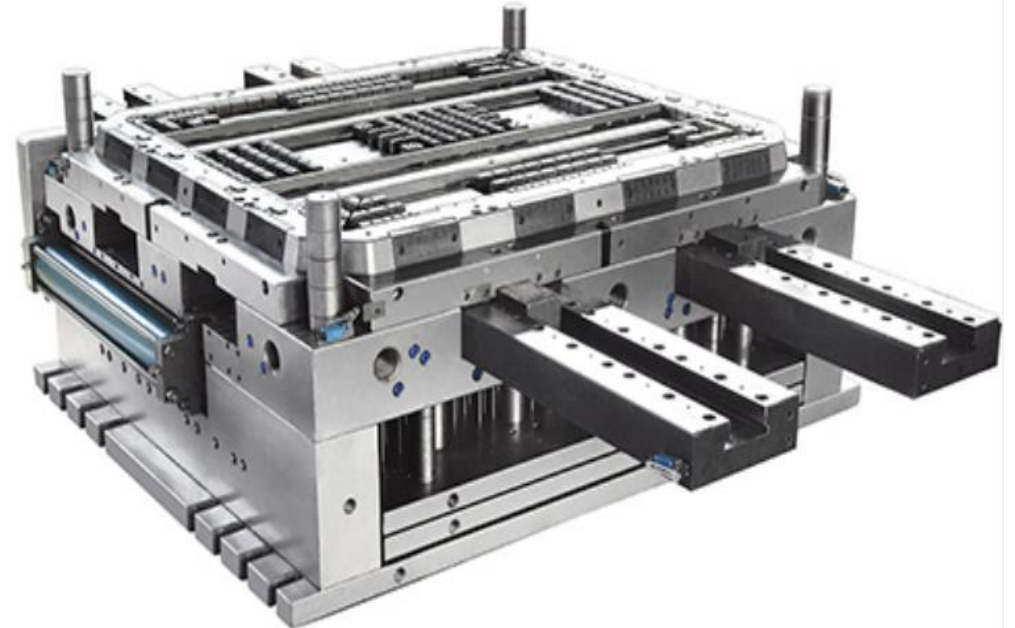
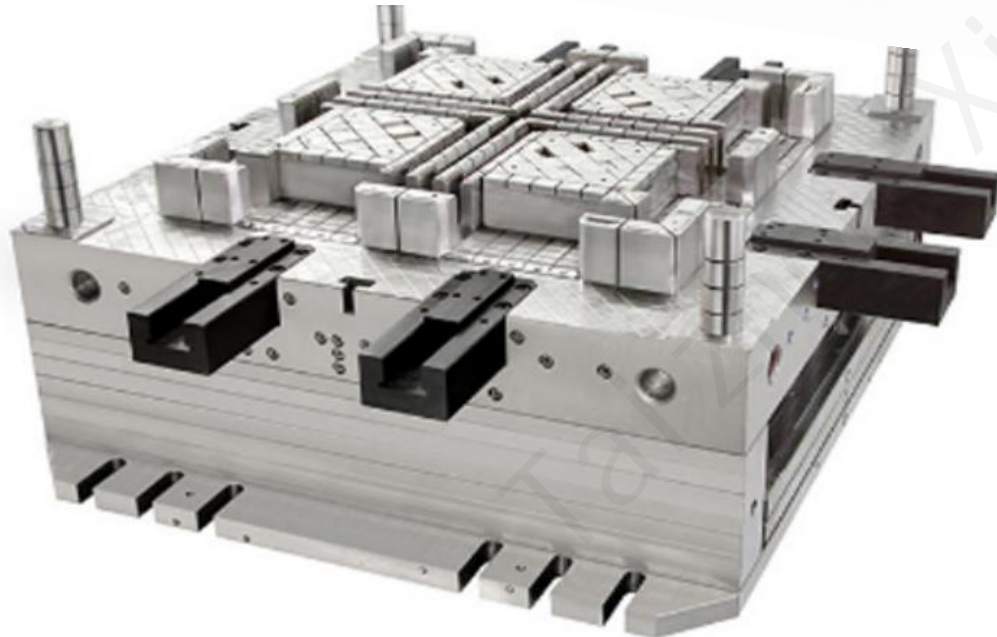
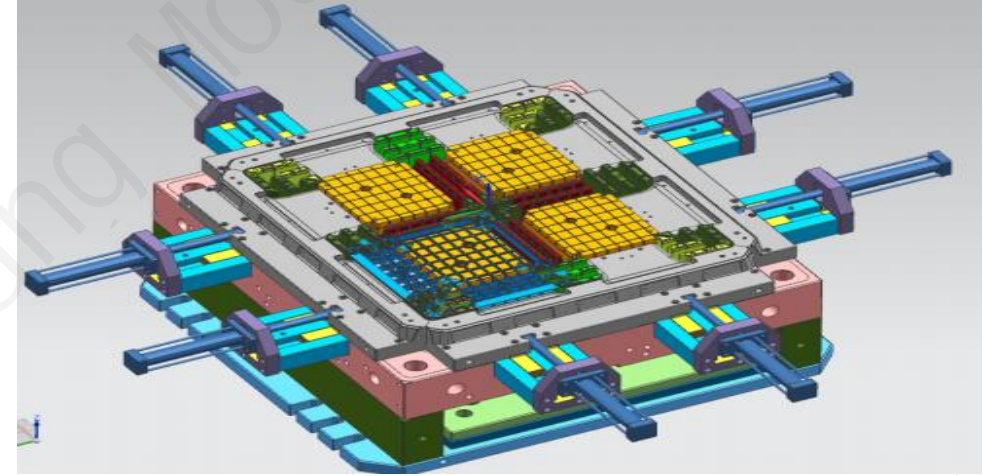
Turnover box
/Crate mould



Tray Moulds



Tray Moulds



Other Moulds



Taizhou Xiangyang Mould
and Plastic co., Ltd



THANK YOU!

Website: www.tzxymold.com

E-mail: tzxymould_fish@foxmail.com